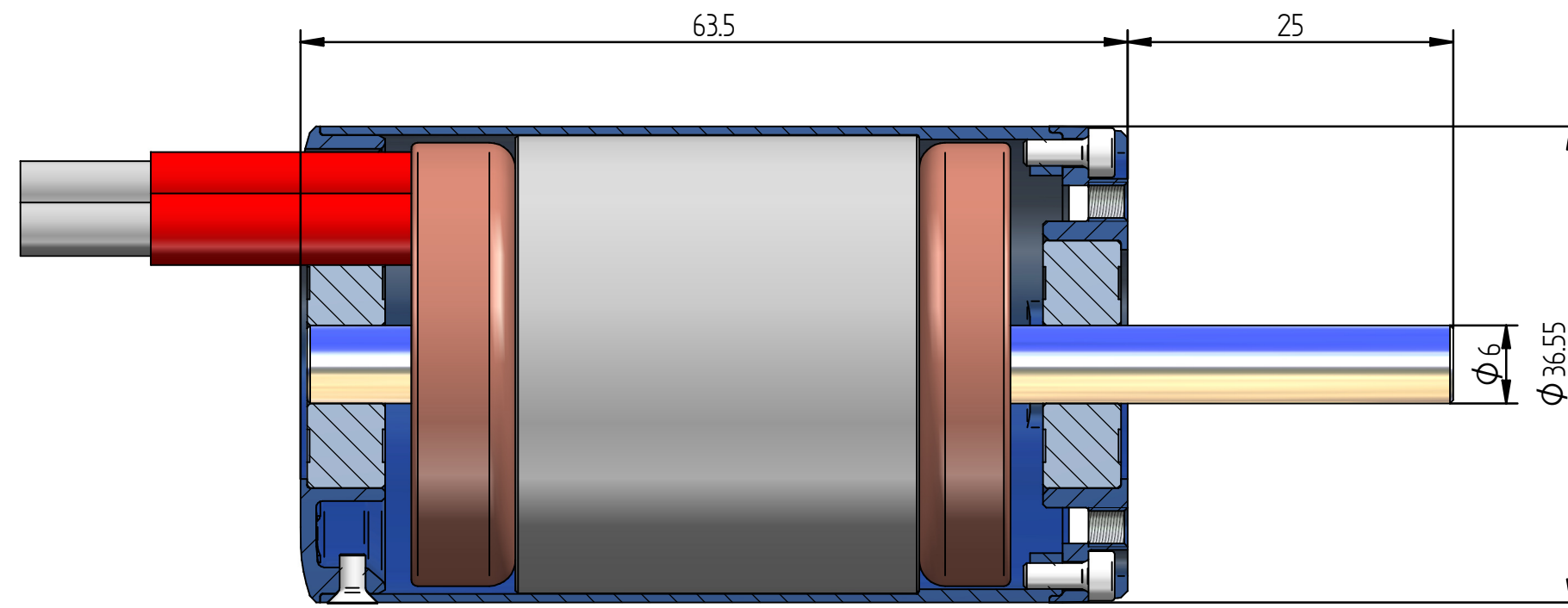
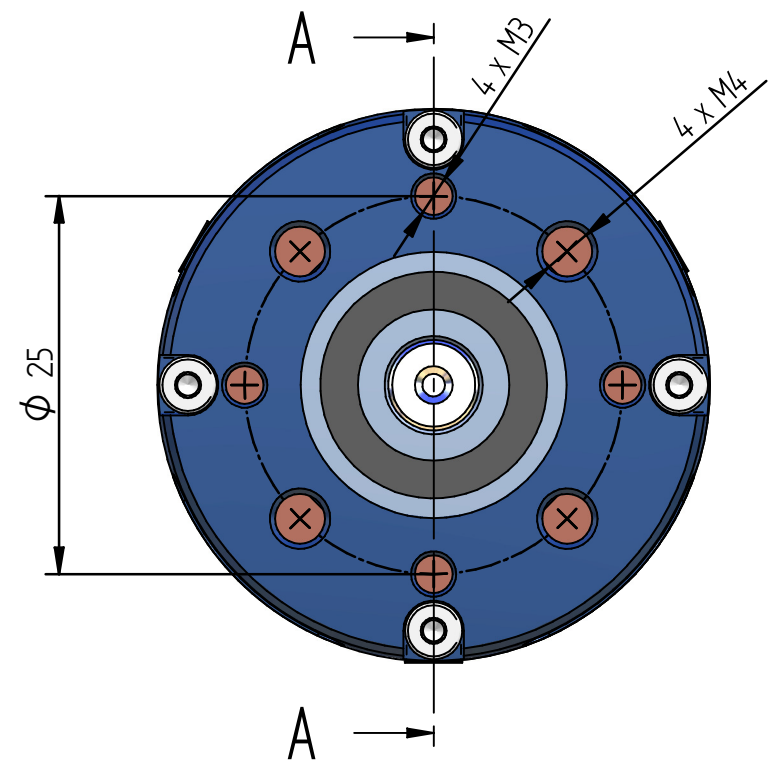
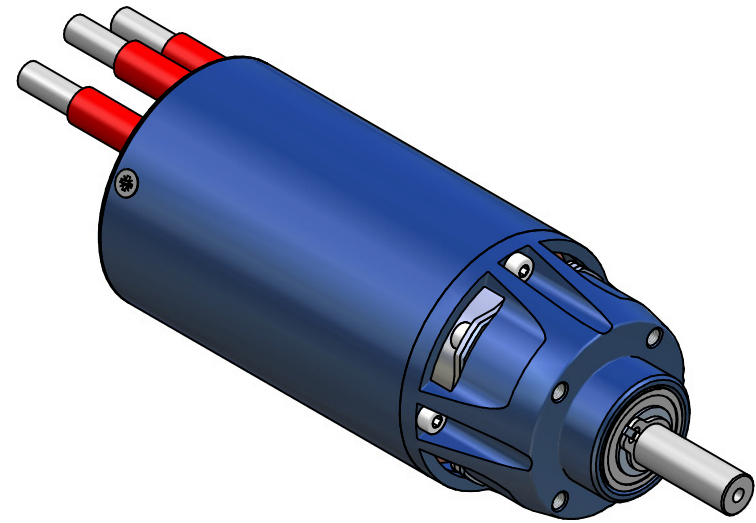


1:1

e-motor L-3631

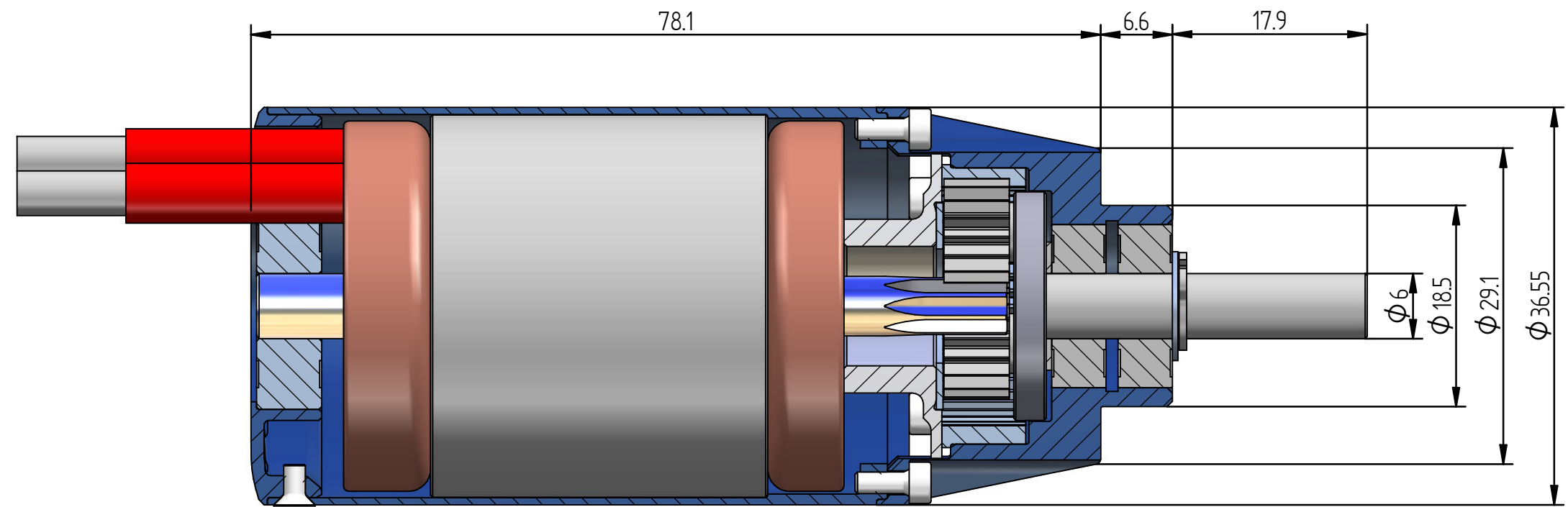
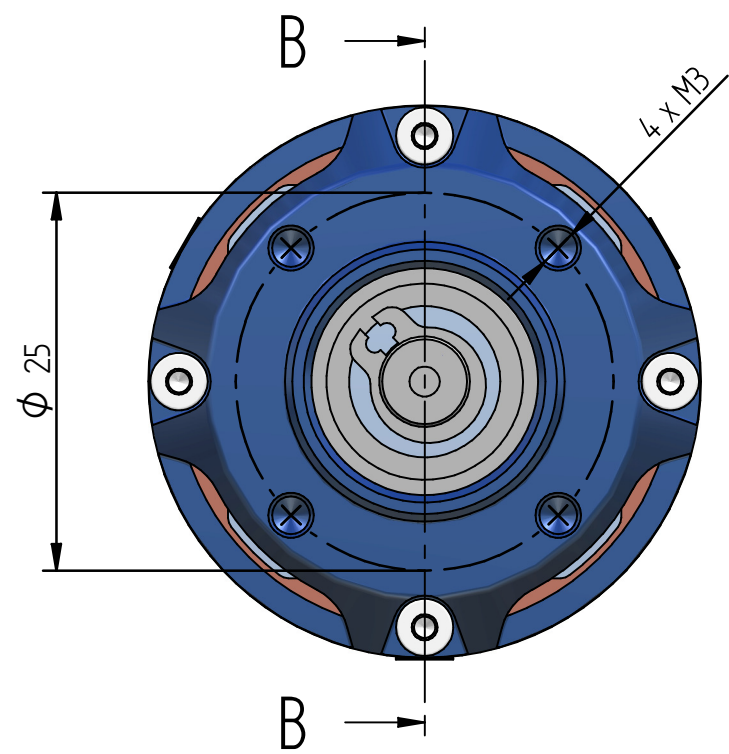


Schnitt A-A



1:1

e-motor L-3631 gear



Schnitt B-B

IV	III	II	I	changes are marked with an $\Delta$ -symbol including index	
change history: 01) 02) 03) 04) 05)			range of application: e-motor L-36		replaced by:
title: main measures e-motor L-3631 all types			scale: 2:1 1:1		file-name: drawing-no.-index_title
LEOMOTION Leomotion GmbH Jakob Stutz Strasse 46 CH-8335 Hiltinau			The unauthorised use or disclosure to third parties, reproduction, or passing on of individual content items or complete pages without express authority is strictly forbidden.		plotted: 03.12.16 DIDA checked: 03.12.16 LEO released: 03.12.16 LEO
format 2			drawing-no. 3631.100		index 00